



Produced in a complete range of sizes from G 1/8 up to G 1 1/2 these valves are particularly suitable for applications where high flow rates and high cycle rates are required. The well-proven poppet system guarantees high performance at a competitive price.

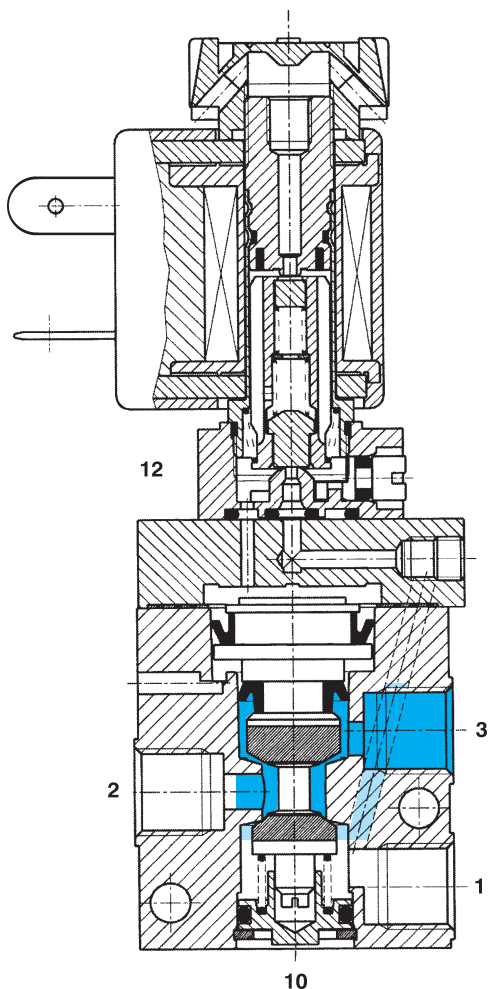
TECHNICAL CHARACTERISTICS

Internal system with conical plungers and vulkollan diaphragm  
 Ambient temperature: 50°C  
 Fluid temperature: -5°C + 60°C  
 Fluid: filtered air 50 µm , with or without lubrication  
 Working pressure: 10 bar max.  
 Indirect electropneumatic control  
 2/2 versions available

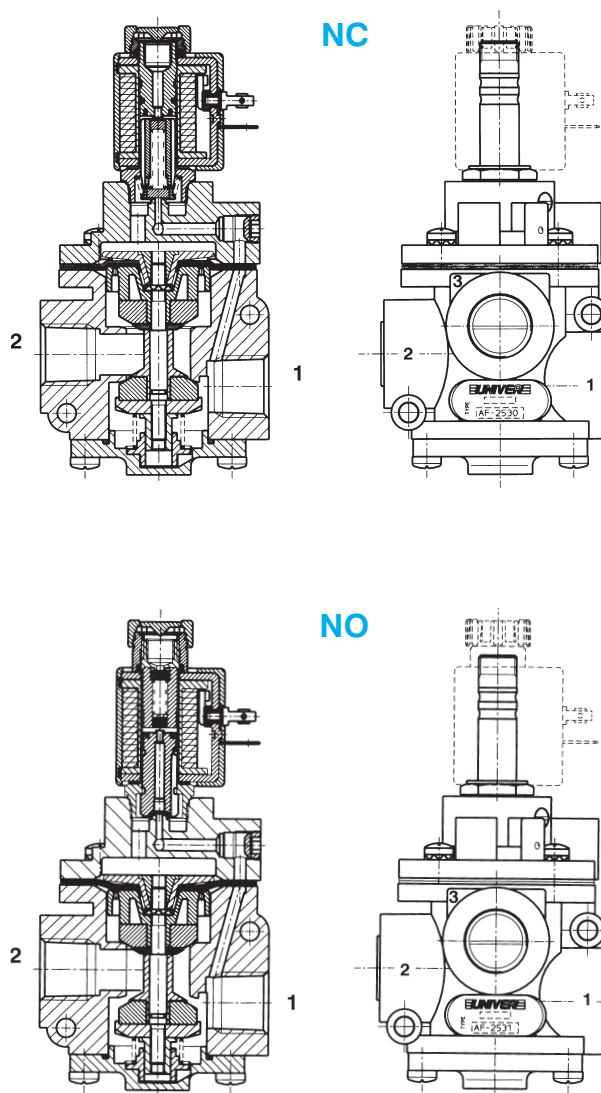
Pneumomechanical spring return  
 Coils U1 DA series; U2 DB series  
 Section accessories page 10-V

NOTE: for the "CV" of the valve divide the flow rate value (NI/min) by "962"

G 1/8 - G 3/8



G 1/2 - G 1 1/2



- 1 = Supply
- 2 = Consumption
- 3 = Exhaust
- 12 = Control
- 10 = Return



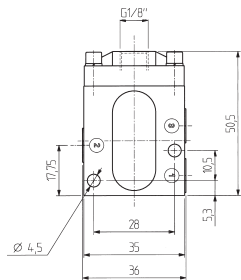
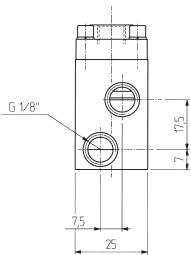
电话: 0592-6054592  
 Email: 13779968079@139.com

厦门吴盛工贸有限公司

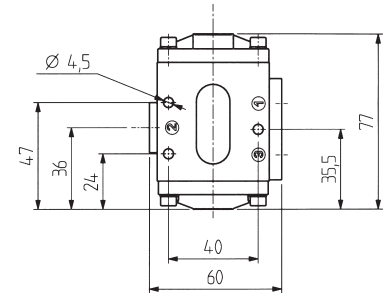
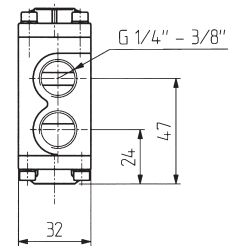
### Solenoid operated valves 3/2 for compressed air

Type	Control	Return	Ways	Connections	Ø mm	Capacity NI/min	Response time ms		Pressure bar		Mass kg	Part number
							energ.	de-energ.	min.	max.		
	pneum.	pneum. mech.	3/2 NC	G 1/8	5,5	580	5	8	6	3,5	0,21	AF-2600
			3/2 NO									AF-2700
			3/2 NC	G 1/4	8	1100	5	7	6	4	0,54	AF-2601
			3/2 NO									AF-2701
			3/2 NC	G 3/8	10	1500	5	7	6	4	0,52	AF-2606
			3/2 NO									AF-2706

#### Overall dimensions G 1/8

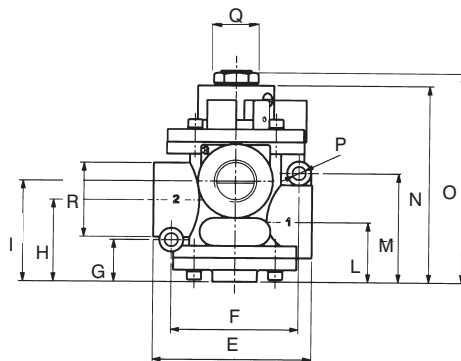
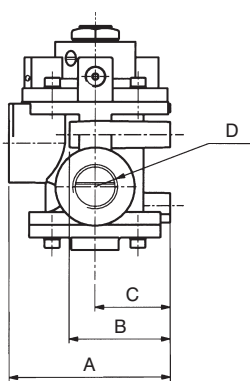


#### Overall dimensions G 1/4 - G 3/8



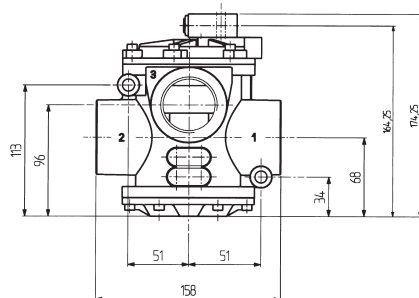
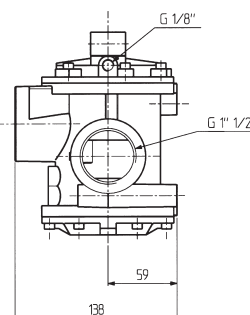
Type	Control	Return	Ways	Connections	Ø mm	Capacity NI/min	Response time ms		Pressure bar		Mass kg	Part number
							energ.	de-energ.	min.	max.		
	pneum.	pneum. mech.	3/2 NC-NO	G 1/2	15	5400	7	10	6	4	1,27	AF-2603
			3/2 NC-NO	G 3/4	19	6500	7	10	6	4	1,10	AF-2610
			3/2 NC-NO	G 1	25	13500	10	12	6	4	1,59	AF-2615
			3/2 NC-NO	G 1 1/2	39	35000	36	15	6	4	2,19	AF-2620

#### Overall dimensions G 1/2 - G 3/4 - G 1



	G1/2	G3/4	G1
A	75		88,5
B	47		88,5
C	35		88,5
D	G1/2	G3/4	G1
E	78,5		88,5
F	63		88,5
G	21		88,5
H	41		88,5
I	50,5		88,5
L	30		88,5
M	54,5		88,5
N	100		88,5
O	105		88,5
P	Ø 6,4		Ø 88,5
Q	G1/4		G1/4
R	37		

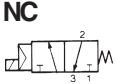
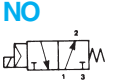
#### Overall dimensions G 1 1/2



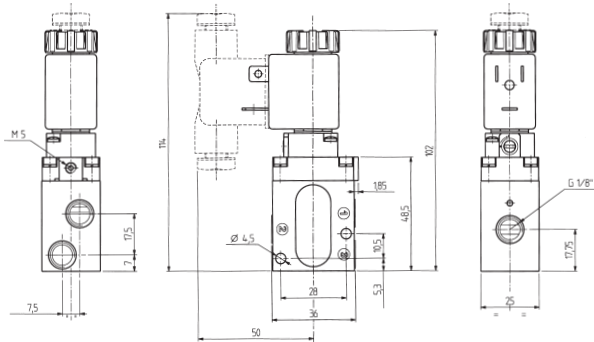
The part numbers of solenoid valves do not include coils



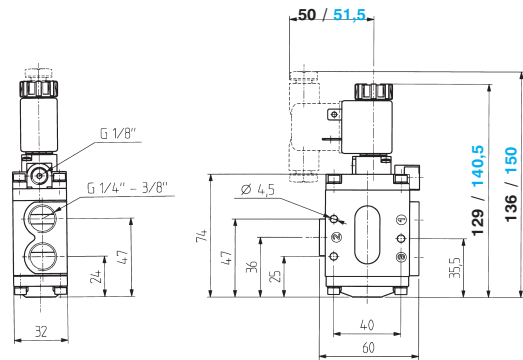
**Solenoid operated valves 3/2 for compressed air**

Type	Control	Return	Ways	Connections	Ø mm	Capacity NI/min	Response time ms		Pressure bar		Mass kg	Part number	Coil
							energ.	de-energ.	min.	max			
 	electrical	pneu-mech.	3/2NC	G 1/8	5,5	580	15	20	1,5	10	0,25	AF-2500	U1
			3/2NO									AF-2501	U1
			3/2NC	G 1/4	8	1100	20	23	1,6	10	0,58	AF-2510	U1
			3/2NO									AF-2511	U1
			3/2NC	G 3/8	10	1500	20	23	1,6	10	0,56	AF-2520	U1
			3/2NO									AF-2521	U1
			3/2NC	G 1/4	8	1100	20	23	1,6	10	0,70	AF-2515	U2
			3/2NO									AF-2516	U2
3/2NC	G 3/8	10	1500	20	23	1,6	10	0,70	AF-2522	U2			
3/2NO									AF-2523	U2			

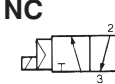

**Overall dimensions G 1/8**



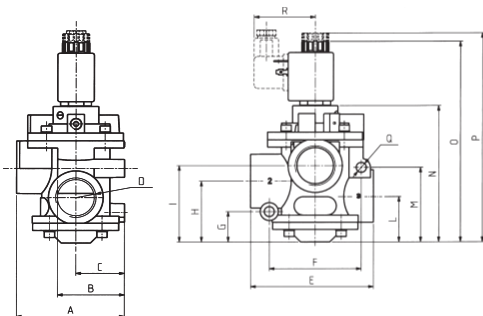
**Overall dimensions G 1/4 and G 3/8**



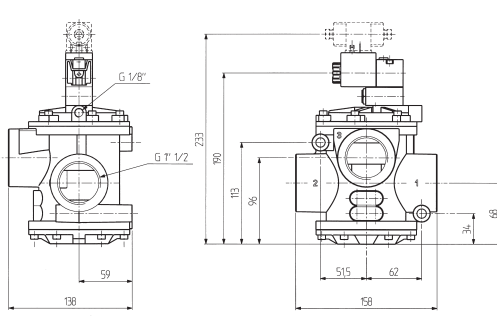
Dimensions with U2 coil blue colour

Type	Control	Return	Ways	Connections	Ø mm	Capacity NI/min	Response time ms		Pressure bar		Mass kg	Part number	Coil
							energ.	de-energ.	min.	max			
 	electrical	pneu-mech.	3/2NC	G 1/2	15	5400	17	27	2	10	1,19	AF-2530	U2
			3/2NO									AF-2531	
			3/2NC	G 3/4	19	6500	17	27	2	10	1,13	AF-2540	U2
			3/2NO									AF-2541	
			3/2NC	G 1	25	13500	20	32	2,2	10	1,62	AF-2545	U2
			3/2NO									AF-2546	
3/2NC	G 1 1/2	39	35000	47	22	2,5	10	2,27	AF-2565	U2			
3/2NO									AF-2561				

**Overall dimensions G 1/2 - G 3/4 - G 1**



**Overall dimensions G 1 1/2**



	G1/2	G3/4	G1
A	75	75	89
B	47	47	55
C	35	35	40
D	G 1/2	G 3/4	G1
E	78,5	78,5	101
F	63	63	76
G	21	21	25,5
H	41	41	51
I	50,5	50,5	64
L	30	30	38
M	54,5	54,5	62,5
N	100	100	115
O	150	150	167
P	154	154	174
Q	Ø6,4	Ø6,4	Ø8,4
R	50,5	50,5	50

The part numbers of solenoid valves do not include coils



A complete range of solenoid valves and pneumatic valves from G 1/8 to G 1 1/2 for vacuum to satisfy all requirements. The internal system ensures high reliability and long life.

**TECHNICAL CHARACTERISTICS**

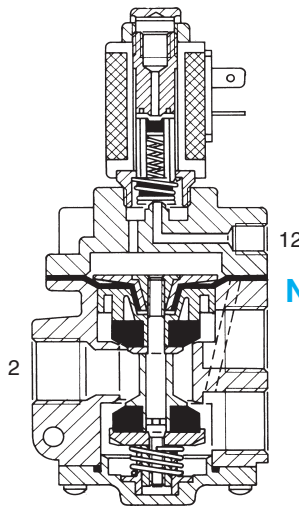
Internal system using conical plungers and Vulkollan diaphragm for solenoid operated valves, servo controlled by compressed air; silicon plugs for direct vacuum solenoid operated valve servo controlled by vacuum.  
 Ambient temperature: 50°C  
 Fluid temperature: -5°C + 60°C  
 Fluid: filtered air 50 µm, with or without lubrication  
 Control by indirect vacuum  
 Automatic return by vacuum

Coils U1 DA series; U2 DB series  
 Section accessories page 15.

2/2 versions for solenoid operated valve for vacuum servoassisted by air;  
 for solenoid operated valves for direct vacuum servoassisted by vacuum  
 the 2/2 version is obtained by inserting a plug in the exhaust.

**Solenoid operated valve, servoassisted by compressed air**

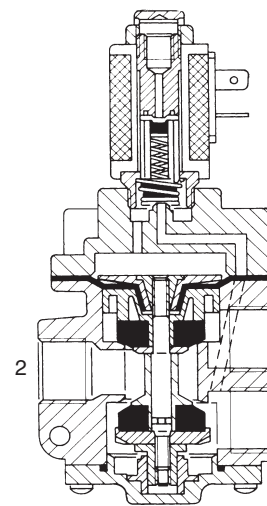
**Solenoid operated valve, servoassisted by vacuum**



NC NO

3 1  
1 3


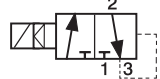
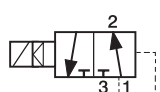
- 1 = Pump
- 2 = Consumption
- 3 = Exhaust
- 12 = Air control



NC NO

1 3  
3 1

**Solenoid operated valves 3/2, for direct vacuum servoassisted by vacuum**

Type	Symbol	Ways	Connections	Ø mm	Response time ms		Pump max m³/h	Vacuum		Mass kg	Part number	Coil
					energ.	de-energ.		min.	max			
	<b>NC</b> 	3/2 NC	G 1/4	8	25	16	4	150 mm Hg	759,5 mm Hg	0,52	<b>AG-3210</b>	U2
		3/2 NO			20	14				0,58	<b>AG-3211</b>	U2
		3/2 NC	G 3/8	10	25	16	10			0,56	<b>AG-3214</b>	U2
		3/2 NO			20	14				0,56	<b>AG-3215</b>	U2
		3/2 NC	G 1/2	15	30	15	20			1,19	<b>AG-3222</b>	U2
		3/2 NO			20	18				1,19	<b>AG-3223</b>	U2
	<b>NO</b> 	3/2 NC	G 3/4	19	30	15	35	610 Torr	0,5 Torr	1,13	<b>AG-3232</b>	U2
		3/2 NO			20	18				1,13	<b>AG-3233</b>	U2
		3/2 NC	G 1	25	38	18	90			1,62	<b>AG-3242</b>	U2
		3/2 NO			25	20				1,62	<b>AG-3243</b>	U2
		3/2 NC	G 1 1/2	39	75	50	100			2	<b>AG-3256</b>	U2
		3/2 NO			70	60				2	<b>AG-3257</b>	U2

The part numbers of solenoid valves do not include coils

## Overall dimensions G 1/4 - G 3/8

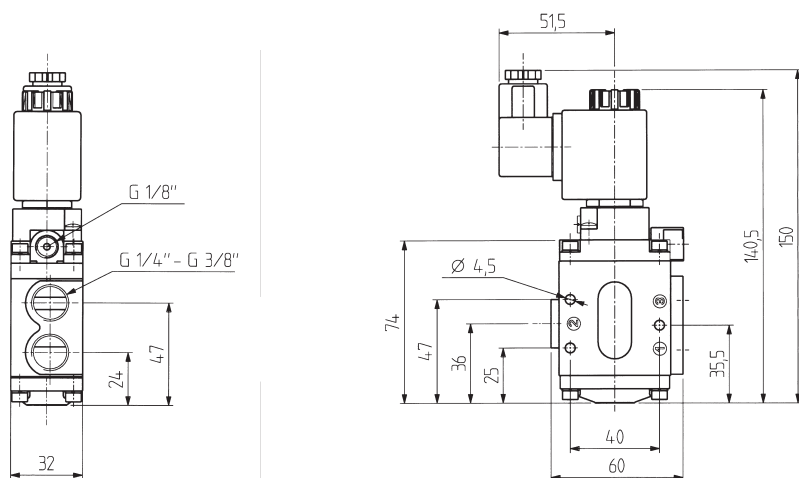
HOUSEN 昊盛

电话: 0592-6054592

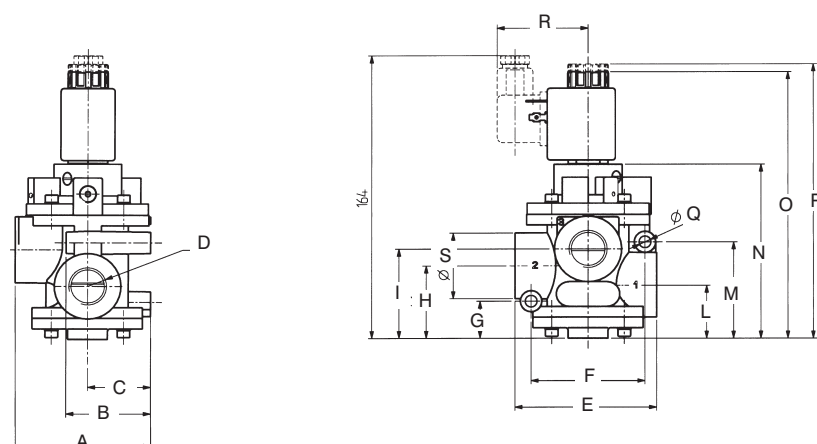
Email: 13779968079@139.com

厦门昊盛工贸有限公司

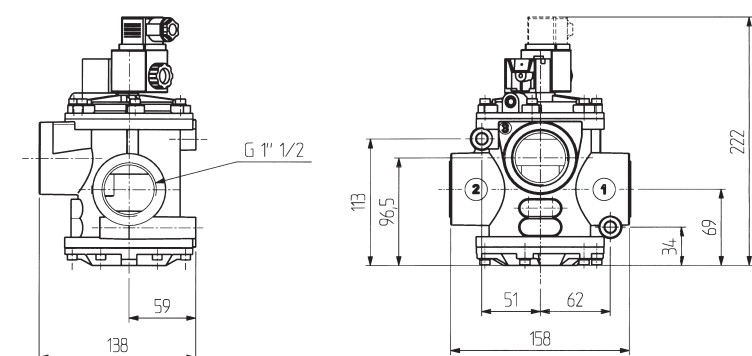
### G 1/4 - G 3/8



### G 1/2 - G 3/4


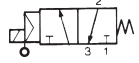



### G 1 1/2

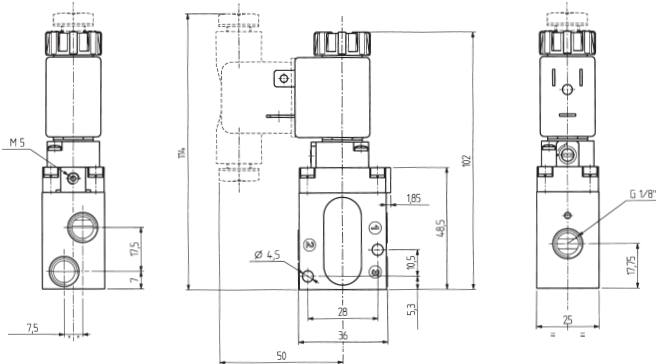


	G1/2 - G3/4	G1
A	75	89
B	47	55
C	35	40
D	G1/2-G3/4	G1
E	78,5	101
F	63	76
G	21	25,5
H	41	51
I	50,5	64
L	30	38
M	54,5	62,5
N	100	115
O	150	167
P	154	175
Q	Ø 64	Ø 84
R	50,5	50
S	37	

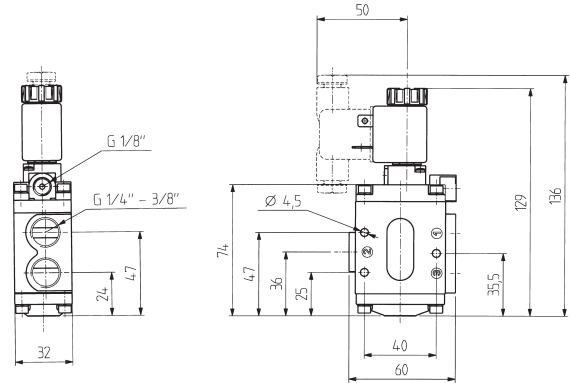
### Solenoid valves 3/2 for vacuum, servoassisted by compressed air


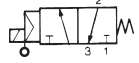

Type	Symbol	Ways	Connections	Ø mm	Response time ms energ.   de-energ.	Pump max m <sup>3</sup> /h	Vacuum max	Min. pressure	Mass kg	Part number	Coil	
	<b>NC</b> 	3/2 NC	G 1/8	5,5	14	25	1,5	759,5 mm Hg	1,5	0,25	U1	
		3/2 NO										
	<b>NO</b> 	3/2 NC	G 1/4	8	16	27	4	0,5 Torr	2,5	0,58	AG-3009 AG-3010	U2
		3/2 NO										
		3/2 NC	G 3/8	10	16	27	10	2,5	0,56	AG-3011 AG-3012		
		3/2 NO										

#### Overall dimensions G 1/8

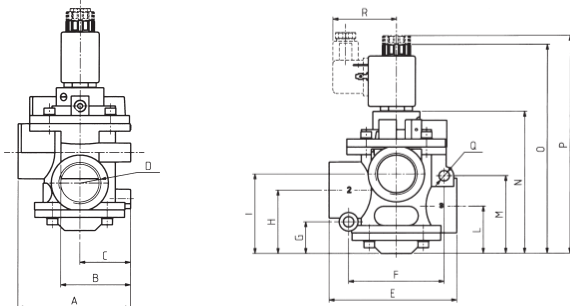


#### Overall dimensions G 1/4 and G 3/8



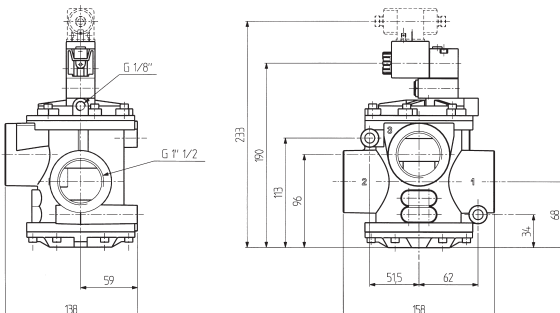
Type	Symbol	Ways	Connections	Ø mm	Response time ms energ.   de-energ.	Pump max m <sup>3</sup> /h	Vacuum max	Min. pressure	Mass kg	Part number	Coil	
	<b>NC</b> 	3/2 NC	G 1/2	15	16	40	20	759,5 mm Hg	3	1,19	AG-3020 AG-3021	U2
		3/2 NO										
	<b>NO</b> 	3/2 NC	G 3/4	19	16	40	35	0,5 Torr	3	1,13	AG-3040 AG-3041	
		3/2 NO										
		3/2 NC	G 1	25	18	42	90	3	1,62	AG-3050 AG-3051		
		3/2 NO										
	3/2 NC	G 1 1/2	39	60	38	180	4	2,25	AG-3062 AG-3063			
	3/2 NO											

#### Overall dimensions G 1/2 - G 1




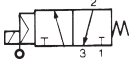
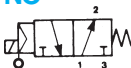
	G 1/2	G 3/4	G 1
A	75	75	89
B	47	47	55
C	35	35	40
D	G 1/2	G 3/4	G1
E	78,5	78,5	101
F	63	63	76
G	21	21	25,5
H	41	41	51
I	50,5	50,5	64
L	30	30	38
M	54,5	54,5	62,5
N	100	100	115
O	150	150	167
P	154	154	174
Q	Ø 6,4	Ø 6,4	Ø 8,4
R	50,5	50,5	50

#### Overall dimensions G 1 1/2

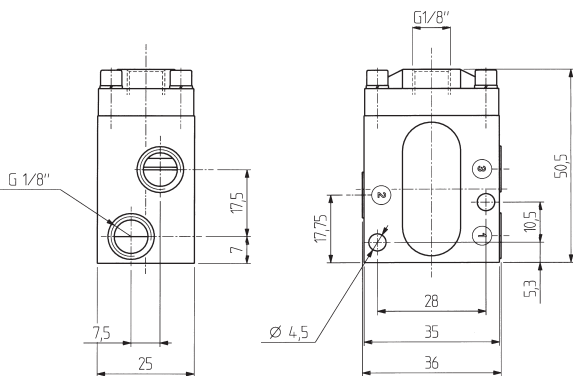


The part numbers of solenoid valves do not include coils

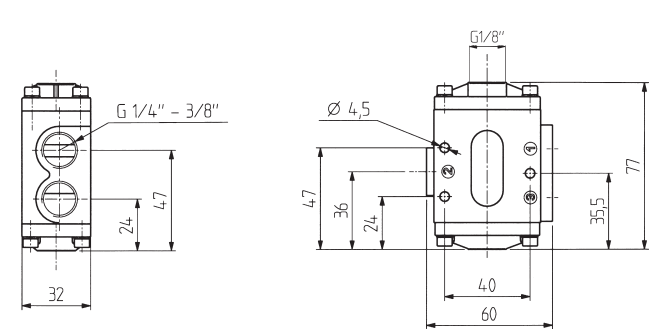
### Servovalves 3/2 for vacuum servoassisted by compressed air


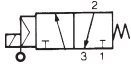

Type	Symbol	Ways	Connections	Ø mm	Response time ms		Pump max m <sup>3</sup> /h	Vacuum max	Min. pressure	Mass kg	Part number
					energ.	de-energ.					
	<b>NC</b> 	3/2 NC	G 1/8	5,5	3	6	1,5	759,5 mm Hg	1,5	0,21	<b>AG-3071</b>
		3/2 NO									<b>AG-3072</b>
	<b>NO</b> 	3/2 NC	G 1/4	8	4	8	4	0,5 Torr	2,5	0,54	<b>AG-3073</b>
		3/2 NO									<b>AG-3074</b>
		3/2 NC	G 3/8	10	4	8	10	2,5	0,52	<b>AG-3075</b>	
		3/2 NO								<b>AG-3076</b>	

#### Overall dimensions G 1/8

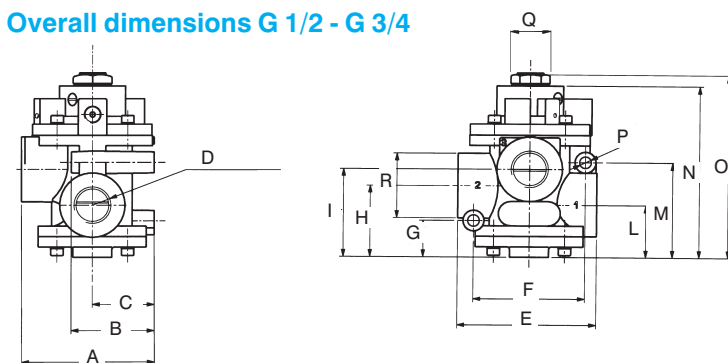


#### Overall dimensions G 1/4 and G 3/8

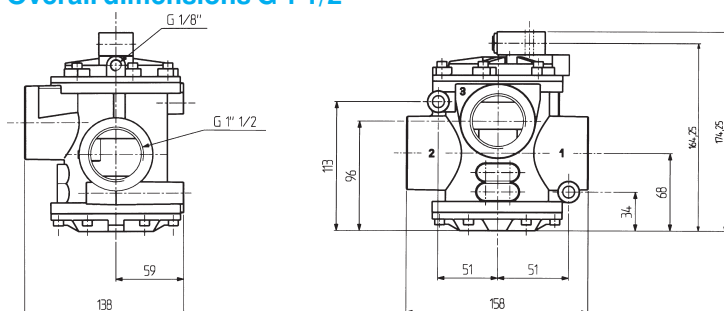


Type	Symbol	Ways	Connections	Ø mm	Response time ms		Pump max m <sup>3</sup> /h	Vacuum max	Min. pressure	Mass kg	Part number
					energ.	de-energ.					
	<b>NC</b> 	3/2 NC	G 1/2	15	6	15	20	759,5 mm Hg	3	1,16	<b>AG-3081</b>
		3/2 NO									<b>AG-3082</b>
	<b>NO</b> 	3/2 NC	G 3/4	19	6	15	35	0,5 Torr	3	1,10	<b>AG-3091</b>
		3/2 NO									<b>AG-3092</b>
		3/2 NC	G 1	25	7	16	90	3	1,59	<b>AG-3100</b>	
		3/2 NO								<b>AG-3101</b>	
3/2 NC	G 1 1/2	39	65	25	180	4	2,19	<b>AG-3110</b>			
3/2 NO								<b>AG-3111</b>			

#### Overall dimensions G 1/2 - G 3/4



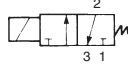
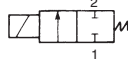
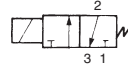


#### Overall dimensions G 1 1/2



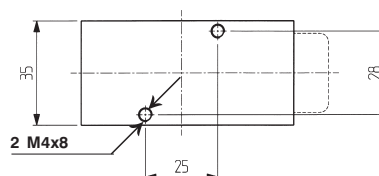
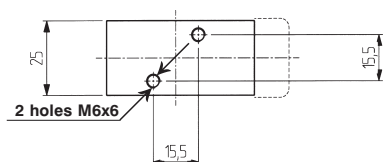
	G1/2-G3/4	G1
A	75	88,5
B	47	55
C	35	40
D	G1/2-G3/4	G1
E	78,5	101
F	63	76
G	21	25,5
H	41	51
I	50,5	64
L	30	38
M	54,5	62,5
N	100	115
O	105	120,5
P	Ø 64	Ø 84
Q	G1/4	G3/4
R	37	

### Directly operated solenoid valves 3/2 - 2/2 for vacuum

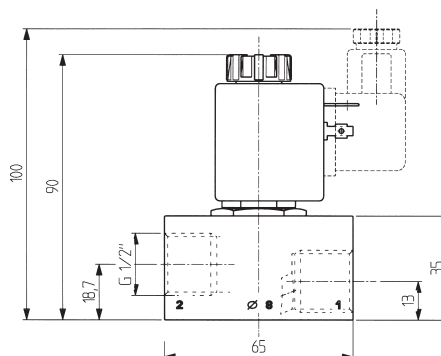
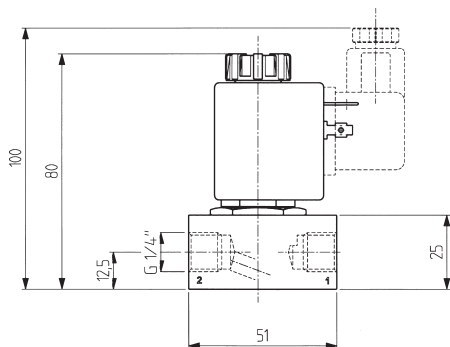
Type	Symbol	Ways	Connections	Ø mm	Response time ms		Pump max m <sup>3</sup> /h	Vacuum max		Mass kg	Part number	
					energ.	de-energ.		mm Hg	Torr			
 Coil U2 - 17 VA  Voltage      Part number 24/50-60Hz    DB-0607 110/50-60Hz    DB-0608 220/20-60Hz    DB-0610		3/2 NC	G 1/4	6*	15	8	5	759,5	0,5	0,220	AG-3313	
			G 1/2	11*	28	10	10			0,250	AG-3332	
	<b>Other types</b>											
	Symbol	Ways	Connections	Ø mm	Part number	Ways	Connections	Ø mm	Part number			
		2/2 NC	G 1/4	3	AG-3300	2/2 NC	G 1/2	8	AG-3320			
				4	AG-3301			10	AG-3321			
				5	AG-3302			11	AG-3322			
				6	AG-3303							
		3/2 NC	G 1/4	3-3*	AG-3310	3/2 NC	G 1/2	8-3*	AG-3330			
				4-3*	AG-3311			10-3*	AG-3331			
5-3*				AG-3312								

\* Solenoid valves with fixed exhaust Ø 3 mm

### Overall dimensions G 1/4 - G 1/2



VACUUM  
 1-P = Pump  
 2-A = Consumption  
 3-R = Exhaust



**HOUSEN** 昊盛

电话: 0592-6054592

Email: 13779968079@139.com

厦门昊盛工贸有限公司

The part numbers of solenoid valves do not include coils